



**DOOSAN NEXT GENERATION FORKLIFT**



**Capacity : 2.0 - 3.5 tons**

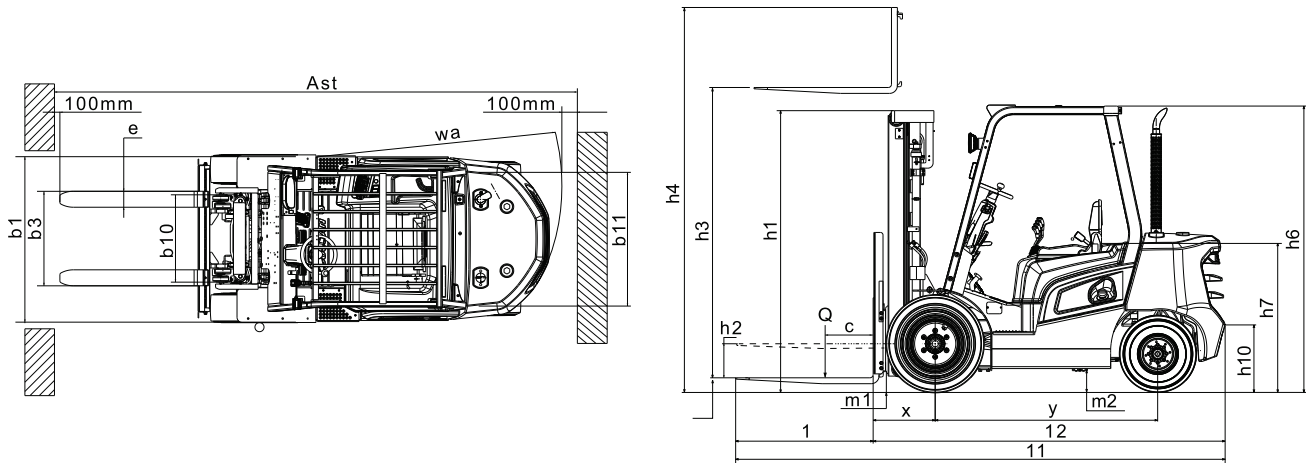
High Performance & rugged  
NX Series Diesel Forklifts





## TECHNICAL SPECIFICATION

				DOOSAN			
<b>Characteristics</b>	1.1	Model designation		<b>D20NX</b>	<b>D25NX</b>	<b>D30NX</b>	<b>D35NX</b>
	1.2	Transmission type		Power shift			
	1.3	Drive : Diesel, Gasoline, LP		Diesel			
	1.4	Operator type Standing / Seated		Seated			
	1.5	Load capacity	kg	2000	2500	3000	3500
	1.6	Load Center	mm	500	500	500	500
	1.8	Load distance, centre of drive axle to fork	x mm	467	467	472	477
	1.9	Wheelbase	y mm	1700	1700	1700	1700
	<b>Tyres</b>	2.1	Service weight	kg	3635	3920	4385
2.2		Axle Loading, Laden Front/Rear	kg	4925/710	5560/860	6475/910	7205/980
2.3		Axle Loading, Unladen Front/Rear	kg	1705/1930	1720/2200	1785/2600	1650/3035
3.1		Tyres: pneumatic (P), superelastic (SE), cushion (C)		P			
3.2		Tyre size, Front		28x9-15-14PR			
3.3		Tyre size, Rear		6.50-10-10PR			
3.5		Wheels, number Front/Rear (x = driven wheels)		2/2			
3.6		Tread, Front	b11 mm	1060			
<b>Dimensions</b>	3.7	Tread, Rear	b12 mm	980			
	4.1	Tilt of Mast/Fork carriage Forward/Backward	$\alpha / \beta$ deg	6/10			
	4.2	Height, Mast lowered	h1 mm	2045			
	4.3	Free lift	h2 mm	150			
	4.4	Lift (with STD 2-stage mast)	h3 mm	3000			
	4.5	Height, Mast Extended	h4 mm	4247	4252		
	4.6	Height of Overhead Guard(Cabin)	h6 mm	2160			
	4.7	Height of Seat	h7 mm	1185			
	4.8	Overall Length	l1 mm	3610	3660	3715	3800
	4.9	Length to Forkface	l2 mm	2560	2610	2665	2750
	4.10	Overall Width	b1 mm	1,290			
	4.11	Fork dimensions (LxWxT)	mm	1050x100x45		1050x122x45	1050x125x50
	4.12	Fork carriage ISO 2328, class/type A,B		II		III	
	4.13	Fork carriage width	b3 mm	1,042			
	4.14	Ground Clearance, laden, below mast	m1 mm	132			
	4.15	Ground Clearance, center of wheelbase	m2 mm	135			
	4.16	Aisle with for pallets 1,000 x 1,200 crossways	Ast mm	3935	3980	4100	4160
	4.17	Aisle with for pallets 800 x 1,200 lengthways	Ast mm	4210	4250	4300	4380
	4.18	Turning radius	Wa mm	2275	2325	2410	2475
4.19	Internal Turning Radius	b13 mm	735				
<b>Performance Data</b>	5.1	Travel Speed, Laden/Unladen	km/h	20/21			
	5.2	Lift Speed, Laden/Unladen	mm/sec	560/600			460/480
	5.3	Lowering Speed, Laden/Unladen	mm/sec	485/560			470/495
	5.4	Gradeability, Laden/Unladen(@ 1.6km/h)	%	37/60	31/54	27/50	23/43
	5.5	Max. Gradeability, Laden/Unladen	%	44/74	37/65	33/60	28/51
	5.6	Service Brake		Hydraulic			
<b>Engine</b>	6.1	Engine power according to DIN ISO1585	kw	36.8			
	6.2	Rated speed	min-1	2500			
	6.3	Torque at 1/min	N-m	200@1700			
	6.4	Number of Cylinders/Displacement	-/cm3	4/4/3200			
	6.5	Battery Voltage/normal capacity	V/Ah	12/65			
<b>Additional Data</b>	7.1	Operating pressure for attachments	bar	160			
	7.2	Fuel Tank Capacity	L	70			
	7.3	Sound level at the driver's ear according to EN 12 053	db(A)	86			



## MAST SPECIFICATION AND RATED CAPACITY

### MAST DETAILS

		LOAD CAPACITY AT MFH (KGS)				OVERALL HEIGHT LOWERED (mm)				FREE LIFT (mm)				TILT ANGLE (α/β)
Mast Type	Max. Fork Height	D20	D25	D30	D35	D20 NX	D25 NX	D30 NX	D35 NX	D20 NX	D25 NX	D30 NX	D35 NX	
STD	3,000	2,000	2,500	3,000	3,500	2,045	2,045	2,045	2,045	150	150	150	150	6 / 10
	3,500	2,000	2,500	3,000	3,500	2,295	2,295	2,295	2,295	150	150	150	150	6 / 10
FF	3,210	2,000	2,500	3,000	3,500	2,155	2,155	2,155	2,155	950	950	950	950	6 / 10
FFT	4,710	1950/2000**	2300/2350**	2650/2,800**	3,100	2,145	2,145	2,145	2,145	940	940	940	940	6 / 4

\*\* With Dual Drive

### STANDARD EQUIPMENT

- Wide view mast
- Load backrest
- Standard forks
- Power steering
- Retaining rollers
- Overhead guard
- Standard seat (Adjustable)
- Draw bar pin
- Air cleaner
- Parking brake lever
- Lift, tilt levers
- Dipstick for TC oil
- Lift Circuit cut-off valve
- Overhead air intake
- Tilt adjustable steering wheel
- Turn indicator Lights
- Hour meter
- Water temperature meter
- Fuel meter
- Engine oil pressure warning indicator
- Electric charge indicator
- Halogen head lights
- Rear combination lights
- Rear view mirrors
- Reverse Horn
- Electric horn
- Neutral safety switch (TC)
- Rubber floor mat
- Tool kit
- Inching Control Pedal

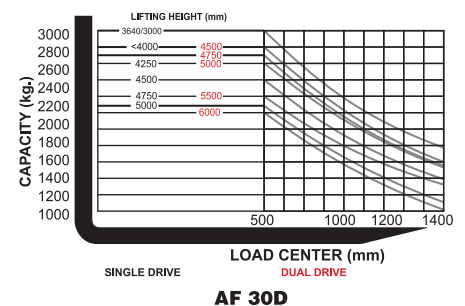
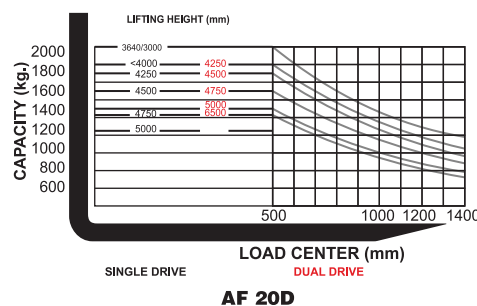
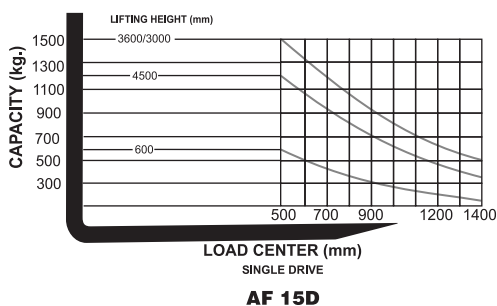
### OPTIONAL EQUIPMENT

- Different Mast Type (Refer Mast Details)
- Front dual wheels
- Non Marking Tyres/Solid Tyres
- Fire extinguisher
- All weather steel cabin
- Spark arrester
- Catalytic converter
- Water muffler
- Yanmar Engine (4 Cylinder 4TNE94L)
  - Rated Power - 34.2kw @2200 RPM
  - Rated Torque - 162 N-m @ 1500 RPM
  - Displacement-3.3lit
- Air conditioned/Heated cabin

### OPTIONAL ATTACHMENTS

- Bale clamp
- Cabin
- Crane attachment
- Drum(s) handling attachment
- Fork extensions
- Fork rotator
- Furnace kit
- Side Shifter
- Side shifter cum fork positioner
- Paper roll clamp
- Ram attachment
- Shovel attachment

## LOAD CHART





## Enhanced Safety

NX helps safer operation. NX is equipped with various safety features. It prevents unexpected accidents, ensuring safety of employees.



### Large Entry Grip Bar

The entry grip bar is larger, so it is easy to grip and allows safer ride on / off.



### Anti-Skid Step Plate

The wider step plate prevents slipping and it also helps safer ride on / off.



### Rearranging of Tilt Cylinder

Tilt cylinder is removed on the floor plate, preventing operator from falling over.

## Optional Features



### OSS\* (Operator Sensing System)

OSS function avoids any unintended truck movements when the operator is not seated.

- ① Warning when operator leaves the seat without parking brake.
- ② Warning when operator drives without seatbelt fastened.
- ③ Automatically stop the vehicle when operator leaves the seat.

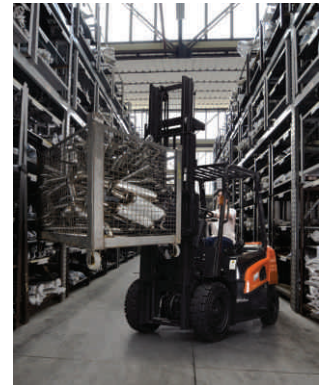


### ISO3691\* Hyd. Locking Valve

If operator leaves or turns-off the truck, this system will automatically lock the hydraulic function, not allowing lifting, tilting, lowering.



**Powerful Gradeability**



**High Residual Capacity @ Maximum Lift Height**

## Improved Serviceability

NX offers outstanding serviceability. It is designed considering maintenance and can be repaired easier and quicker.



### Junction Box

Fuse and relay are concentrated for easy maintenance.

### Removable Side Cover

By applying knob bolt, it can be disassembled by hand.

### Wide Open Hood Angle

It is easy to access engine room by enlarging the hood open angle.



### Hood Locking Cylinder

It helps easy maintenance and prevents safety accident.



**Outstanding Stability**



**High Speed of Lifting/Lowering**

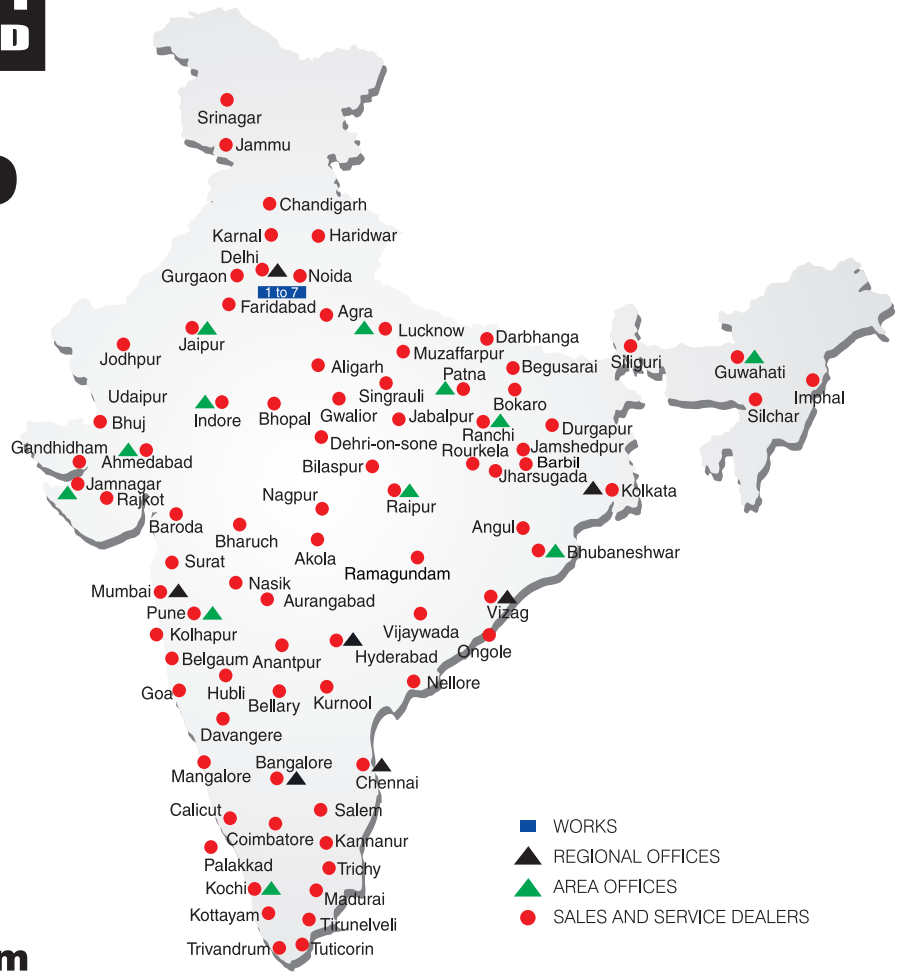
# BUILT TO PERFORM



**ACE** INDIA'S NO. 1  
CRANE BRAND

**RELIABLE AND  
DEPENDABLE  
EFFICIENCY**

## NETWORK



**Toll Free Help Line  
1800 1800 004**

[www.ace-cranes.com](http://www.ace-cranes.com)

### MARKETING H.Q.

4th Floor, Pinnacle  
Surajkund, NCR-121009  
Ph. : +91-129-4550000  
Fax : +91-129-4550022  
E-mail: marketing@ace-cranes.com

### REGISTERED OFFICE

Dudhola Link Road, Dudhola  
Palwal-121102, Haryana  
Ph.: +91-1275-280111  
Fax: +91-1275-280133  
CIN : L74899HR1995PLC053860

### MUMBAI OFFICE

31, "Kalpataru Court"  
Chembur, Mumbai - 400074  
Ph.: +91-22-25206846, 25207070  
Fax: +91-22-25207071  
E-mail: acemumbai@ace-cranes.com

### KOLKATA OFFICE

"Forma Towers" 84-A, Second Floor  
AJC Bose Road, Kolkata - 700014  
Ph.: +91-9038070630  
E-mail: acekolkata@ace-cranes.com

### CHENNAI OFFICE

1st Floor, "Alsa Regency", 165  
Eldams Road, Alwar Pet  
Chennai - 600018  
Ph.: +91-44-24314253  
Fax: +91-44-24314252  
E-mail: acechennai@ace-cranes.com

## HERE TO SERVE YOU.

### SPARE PARTS & SERVICE

ACE has all India Sales and Service network operating out of all the major cities. These outlets are fully equipped to provide genuine spare parts and services by company trained engineers. These outlets are further supported by company officials based at Delhi, Mumbai, Chennai, Kolkata, Ahmedabad, Surat, Pune, Jaipur, Chandigarh, Ranchi, Raipur, Indore, Bhubneswar, Lucknow, Jamnagar, Hyderabad, Bangalore, Guwahati, Patna, Vizag & Kochi.



**Action Construction Equipment Ltd.**

Contact:



ACE reserves the right to alter any specifications without prior notice. Dimensions, weights & capacities mentioned herein are variable by ± 5%. Accessories if shown are not part of the Standard Equipment.